

INSTALLATION

1 Inspection

The following items are inside the box:

- UPS unit
- User Manual

Remove the UPS from its package and inspect it for damage that may have occurred during shipping. If any damage is discovered, re-pack the unit and return it to the place of purchase.

2 Connect to Utility Power

Connect AC power cord to utility power. Then, the UPS will start to charge inside battery. For best result, charge the battery for 6 hours prior to initial use.

3 Connect Modem/Phone Line/Data Line

(only for the model with TVSS port)

This UPS protects a single line (1 in/1 out) phone, modem, or fax machine from surges when connected through the UPS. Plug incoming Internet line into the "IN" socket. Use one more Internet line cable in the "OUT" socket and plug one other end to the modem input socket.

4 Plug in Equipment

There are two types of output receptacles: Battery Backup Outlet and Surge-protected Outlet.

Battery Backup Outlets

Connect computer and monitor to the "Battery Backup" outlets. These outlets provide battery backup, EMI filtering, line conditioning, and surge protection. Battery power is automatically provided in case of power failure.

NOTE: Make sure that the UPS is powered on to protect all important devices from data loss during power failure.

CAUTION: NEVER connect a laser printer or scanner to the battery backup outlets of UPS. The equipment may draw significantly power to overload the UPS.

Surge-Protected Outlets

Connect a printer, fax machine, or scanner to the "Surge-protected" outlets. These outlets do not provide power during power failure.

5 Connect Com. Port and Install Software

(only for the model with USB port)

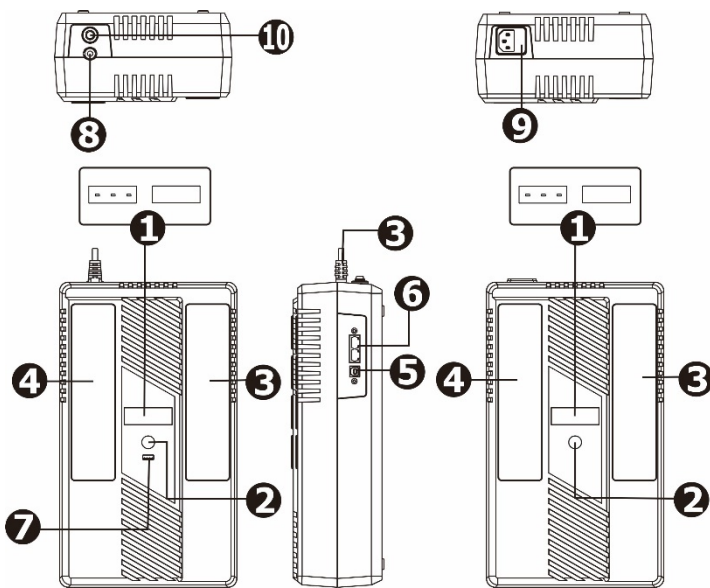
Connect one end of the USB cable to PC and the other to the USB port at the rear of the UPS.

Download the latest version of ViewPower software from <http://software.powerwalker.com> to your hard drive. Follow on-screen instructions to complete the software installation.

6 Turn On/Off the UPS

To turn on the UPS unit, press the power switch lightly. Then, the LED or LCD will light up. To turn off the UPS unit, press the power switch again. Then, display will shut off.

PRODUCT OVERVIEW

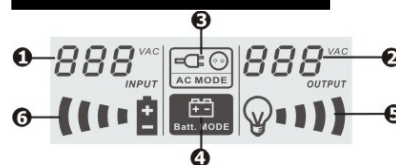


*Outlet type can be Type F (CEE 7/3), Type E (CEE 7/5), Type G (BS 1363) and IEC.

- 1 LCD display or LED indicators (Please check LED or LCD section for the details)
- 2 Power switch
- 3 Battery backup outlets
- 4 Surge-protected outlets
- 5 USB port (option)
- 6 Modem/phone/network surge protection (option)
- 7 USB charger port (option)
- 8 AC input power cord
- 9 AC input with fuse (only for IEC model)
- 10 Circuit breaker

LCD/LED OVERVIEW

LCD Display optional



- 1 Input voltage
- 2 Output voltage
- 3 AC mode indicator
- 4 Battery mode indicator
- 5 Load level indicator, flashing indicates overload
- 6 Battery capacity indicator, flashing indicates low battery

LED Indicators

LED	Alarm	UPS Status
● Green	Off	The mains is normal and UPS is operated normally.
★ Yellow	Sounding every 10 seconds	Power failure occurs and UPS is on battery mode.
★ Yellow	Sounding every second	Low battery
○ Green	Off	UPS is off.
● Red	Continuously sounding	UPS fault

- LED on
- LED Off
- ★ LED flashing

SAFETY CAUTION

SAVE THESE INSTRUCTION-This manual contains important instructions that should be followed during installation and maintenance of the UPS and batteries.

- This UPS utilizes voltage that may be hazardous. Do not attempt to disassemble the unit. The unit contains no user replaceable parts. Only factory service personnel may perform repairs.
- This pluggable type A equipment with battery already installed by the supplier is operator installable and may be operated by laymen.
- The mains socket outlet that supplies the UPS shall be installed near the UPS and shall be easily accessible.
- During the installation of this equipment it should be assured that the sum of the leakage currents of the UPS and the connected loads does not exceed 3.5mA.
- Connection to any other type of receptacle other than a two-pole, three-wire grounded receptacle may result in shock hazard as well as violate local electrical codes.
- In the event of an emergency, press the "OFF" button and disconnect the power cord from the AC power supply to properly disable the UPS.
- Do not allow any liquids or any foreign object to enter the UPS. Do not place beverages or any other liquid-containing vessels on or near the unit.
- This unit intended for installation in a controlled environment (temperature controlled, indoor area free of conductive contaminants). Avoid installing the UPS in locations where there is standing or running water, or excessive humidity.
- Do not plug the UPS input into its own output.
- Do not attach a power strip or surge suppressor to the UPS.
- Do not attach non-computer-related items, such as medical equipment, life-support equipment, microwave ovens, or vacuum cleaners to UPS.
- Do not dispose of batteries in a fire as they may explode.
- A battery can present a risk of electrical shock and high short circuit current. The following precautions should be observed when working on batteries:
 - 1) Remove watches, rings, or other metal objects from the hands.
 - 2) Use tools with insulated handles.
 - 3) Wear rubber gloves and boots.
 - 4) Do not lay tools or metal parts on top of batteries.
 - 5) Disconnect charging source prior to connecting or disconnecting batteries terminal.
 - 6) Determine if battery is inadvertently grounded. If inadvertently grounded, remove source from ground. Contact with any part of a grounded battery can result in electrical shock. The likelihood of such shock can be reduced if such grounds are removed during installation and maintenance.
- Internal battery voltage is 12VDC. Sealed, lead-acid, 6-cell battery.
- Servicing of batteries should be performed or supervised by personnel knowledgeable of batteries and the required precautions. Keep unauthorized personnel away from batteries.
- When replacing batteries, replace with the same number and type of sealed lead-acid battery.
- Do not open or mutilate the battery or batteries. Release electrolyte is harmful to the skin and eyes. It may be toxic.
- Attention, hazardous through electric shock. Also with disconnection of this unit from the mains, hazardous voltage still may be accessible through supply from battery. The battery supply should be therefore disconnected in the plus and minus pole at the connectors of the battery when maintenance or service work inside the UPS is necessary.
- To reduce the risk of overheating the UPS, do not cover the UPS' cooling vents and avoid exposing the unit to direct sunlight or installing the unit near heat emitting appliances such as space heater or furnaces.
- Unplug the UPS prior to cleaning and do not use liquid or spray detergent.
- **WARNING:** This is a category C2 UPS product. In a residential environment, this product may cause radio interference, in which case the user may be required to take additional measures.

SPECIFICATIONS

MODEL	400	600
CAPACITY	400VA/240W	600VA/360W
Input Voltage	230VAC	
Input Voltage Range	170-280VAC	
Output Voltage Regulation	± 10 % (Bat. mode)	
Transfer Time	Typical 6 ms, 10ms max.	
Waveform	Simulated Sine Wave	
Battery Type & No	12V/4.5Ahx1	12V/7Ahx1
Charging Time	6-8 hours recover to 90% capacity	
Dimension (DxWxH)	345 x 200 x 100 mm	
Net Weight (kgs)	4.2	5.1
Humidity	0-90% RH @ 0-40°C non-condensing)	
Noise Level	Less than 40dB	

MODEL	800	1000
CAPACITY	800VA/480W	1KVA/600W
Input Voltage	230VAC	
Input Voltage Range	170-280VAC	
Output Voltage Regulation	± 10 % (Bat. mode)	
Transfer Time	Typical 6 ms, 10ms max.	
Waveform	Simulated Sine Wave	
Battery Type & No	12V/9Ah x 1	12V/9Ah x 1
Charging Time	6- hours recover to 90% capacity	
Dimension (DxWxH)	345 x 200 x 100 mm	
Net Weight (kgs)	5.8	6.4
Humidity	0-90% RH @ 0-40°C non-condensing)	
Noise Level	Less than 40dB	

*Specifications are subject to change without notice.

TROUBLESHOOTING

Problem	Possible Cause	Solutions
LED/LCD not lit.	The UPS is not on.	Press the power switch again to turn on the UPS.
	Battery voltage is too low.	Charge the battery at least 6 hours.
	Battery fault.	Replace the battery.
The UPS always on battery mode.	Power cord loose.	Re-plug the power cord.
The UPS continuously beeps.	Please check the fault code for the details.	Please check the fault code for the details.
Backup time too short.	Battery voltage is too low.	Charge the battery at least 6 hours.
	Overload.	Remove some unnecessary loads. Before reconnecting equipment, please verify that the load matches the UPS capability specified in the specs.
	Battery defect.	Replace the battery.

If any abnormal situations occur that are not listed above, please call for service immediately.